

Be Sure: to keep the black washer right side up to correspond with the bearing rotation during reassembly.



* 10° Delrin® conical bearing



** Delrin® triangular bearing



*** Delrin® cylindrical bearings

Bearings

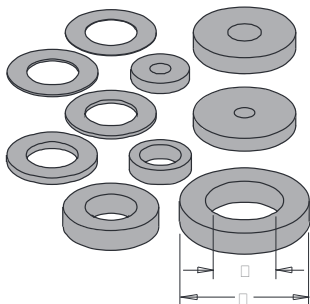
791

mm	D inches	mm	B inches	Thickness mm	ORDER NO
6,35	1/4	3,17	1/8	2,8	791.035.00
9,5	3/8	4,76	3/16	3,2	791.002.00
12,7	1/2	4,76	3/16	5	791.003.00
12,7	1/2	6,35	1/4	4,8	791.010.00
13		5		4	791.022.00
13		6		5	791.023.00
15		6		5	791.024.00
15,8	5/8	4,76	3/16	5	791.018.00
15,8	5/8	6,35	1/4	5	791.009.00
16		5		5	791.006.00
16		8		5	791.025.00
19	3/4	4,76	3/16	7,5	791.019.00
19		6		6	791.007.00
19	3/4	6,35	1/4	7	791.004.00
19		8		6	791.034.00
19	3/4	12,7	1/2	4	791.011.00
22		8		6	791.012.00
22		8			791.005.00
22,2	7/8	4,76	3/16	7,5	791.017.00
22,2	7/8	9,52	3/8	7	791.021.00
22,2	7/8	12,7	1/2	7	791.013.00
24		8		8	791.036.00
28		12		8	791.026.00
28,5	1-1/8	4,76	3/16	8,4	791.014.00
28,5	1-1/8	8		8,5	791.030.00
28,5	1-1/8	12,7	1/2	8	791.027.00
31,7	1-1/4	8		5	791.033.00
31,7	1-1/4	12,7	1/2	10	791.015.00
34,9	1-3/8	4,76	3/16	11,5	791.016.00
34,9	1-3/8	8		11,6	791.031.00
34,9	1-3/8	12,7	1/2	11	791.029.00
37		12		12	791.028.00
38,1	1-1/2	12,7	1/2	13,3	791.020.00
62		30		16	791.051.00
62		35		14	791.052.00
80		40		18	791.054.00
80		50		16	791.053.00
NEW					
10° Delrin® conical bearings					
19	3/4	4,76	3/16	6,8	791.041.00*
Delrin® triangular bearings					
12,7	1/2	4,76	3/16	5,8	791.042.00**
19	3/4	4,76	3/16	7	791.043.00**
Delrin® cylindrical bearings					
12,7	1/2	4,76	3/16	5	791.044.00***
15,8	5/8	4,76	3/16	7,2	791.045.00***
19,05	3/4	4,76	3/16	6,8	791.046.00***

www.talshov-galving.com

Shields for assembly

541



B mm	D mm	Thickness mm	ORDER NO	B mm	D mm	Thickness mm	ORDER NO
3,25	9	1,6	541.550.00	8	14,7	5,8	541.519.00
3,25	15,8	2	541.552.00	12	20	2	541.512.00
5,2	15,8	2,5	541.551.00	12	20	3	541.511.00
6,4	9,52	2,2	541.514.00	12	21	0,1	541.513.00
8	14	0,1	541.515.00	12	21	0,3	541.520.00
8	14	0,3	541.516.00	12	21	1,59	541.521.00
8	14	0,5	541.517.00	12	21	3,18	541.522.00
8	14	1	541.518.00	12	21	6,16	541.523.00
8	14,7	3	541.500.00	12	21	1	541.524.00
8	14,7	4	541.501.00	12	21	0,5	541.525.00